

**BLISTER PACK MACHINE - LARGE 2000 :**

Most versatile thermo-forming machine for capsules, tablets & Caplets



**SALIENT FEATURES :**

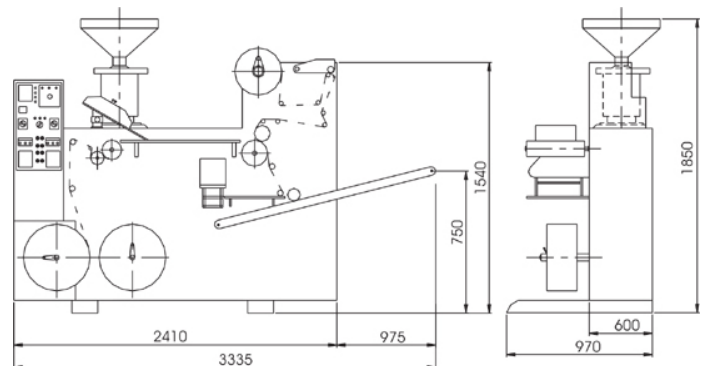
- Shorter change-over time
- Higher output
- Utmost simplicity in operation and maintenance.
- Stainless steel cladding conforming to cGMP standards.

**OPTIONAL FEATURES :**

- Separate Punching and Perforation Stations
- Print Registration Control.

**TECHNICAL SPECIFICATIONS :**

MODEL	LARGE 2000
PVC BASE FILM	MAX 218 MM
PVC FILM THICKNESS	0.25 MM
PVC REEL DIA	MAX. 440 MM
ALUMINIUM FOIL WIDTH	MAX. 214 MM
ALUMINIUM FOIL THICKNESS	0.02 MM/0.03 MM
ALUMINIUM REEL DIA	MAX. 220 MM
TOTAL FORMING AREA	MIN.25 MM x 200 MM MAX. 100 MM x 200MM
ADVANCE LENGTH	100 MM
PACK LENGTH PUNCHED OUT	200 MM
PACK WIDTH PUNCHED OUT	100 MM
FORMING DEPTH	16 MM
OUTPUT	MAX. 300 PACKS PER MIN (Depends upon pack size and product dimensions)
ELECTRICAL CONSUMPTION	8 KVA. WITHOUT AIR COMPRESSOR.



**ELEVATION**

**SIDE VIEW**

**Shipping dimensions for basic machine**

L X W X H	Net Wt.	Gross Wt.
105" x 48" x 72"	1250 Kg	1600 Kg

**Note :** Images Shown here are illustrative. As the design & manufacturing of Machines are subject to improvement, the product supplied will be as per our Techno-Commercial offer.